

50 Watt monocrystalline PV module

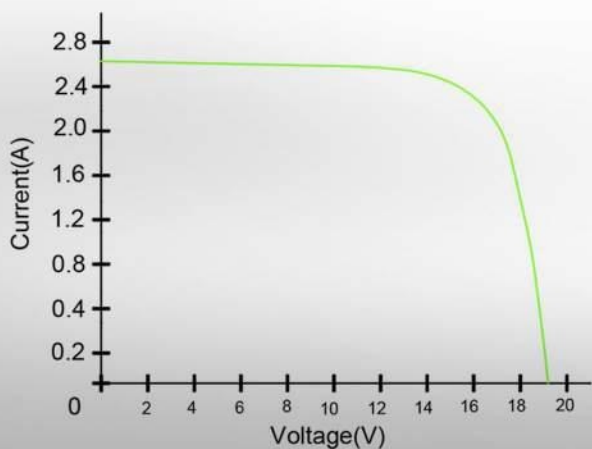
Electrical characteristics

Max Power	Pmax	50W
Max Power Voltage	Vmp	18.6V
Max Power Current	Imp	2.68A
Open Circuit Current	Voc	21.9V
Short Circuit Current	Isc	2.89A
Maximum System Voltage		1000V
Series Fuse Rating		10A

Temperature coefficients

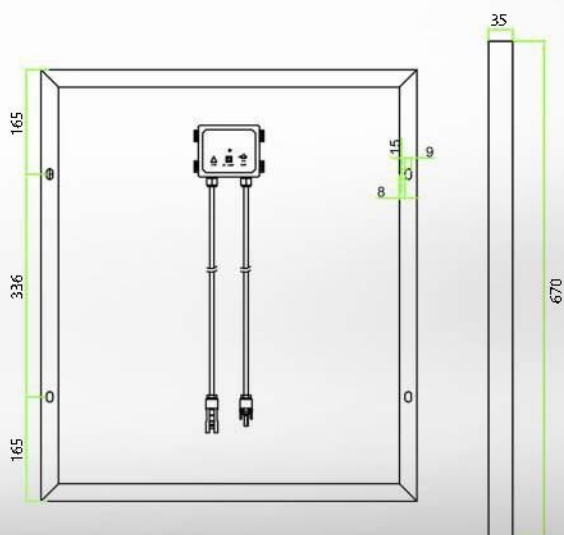
Power	-0.38 % /°C
Voltage	-60.8 V /°C
Current	2.2m A /°C

Cell efficiency 18.4 %
 Number of cells in series 36
 Max power tolerance 3%



Note: All electrical parameters are rated at standard test conditions (irradiance of 1000W/m², AM 1.5G, cell temperature 77°F/25°C)

Dimensions



Weight: 4.5 Kg
 Dimensions: 670*545*35 mm